

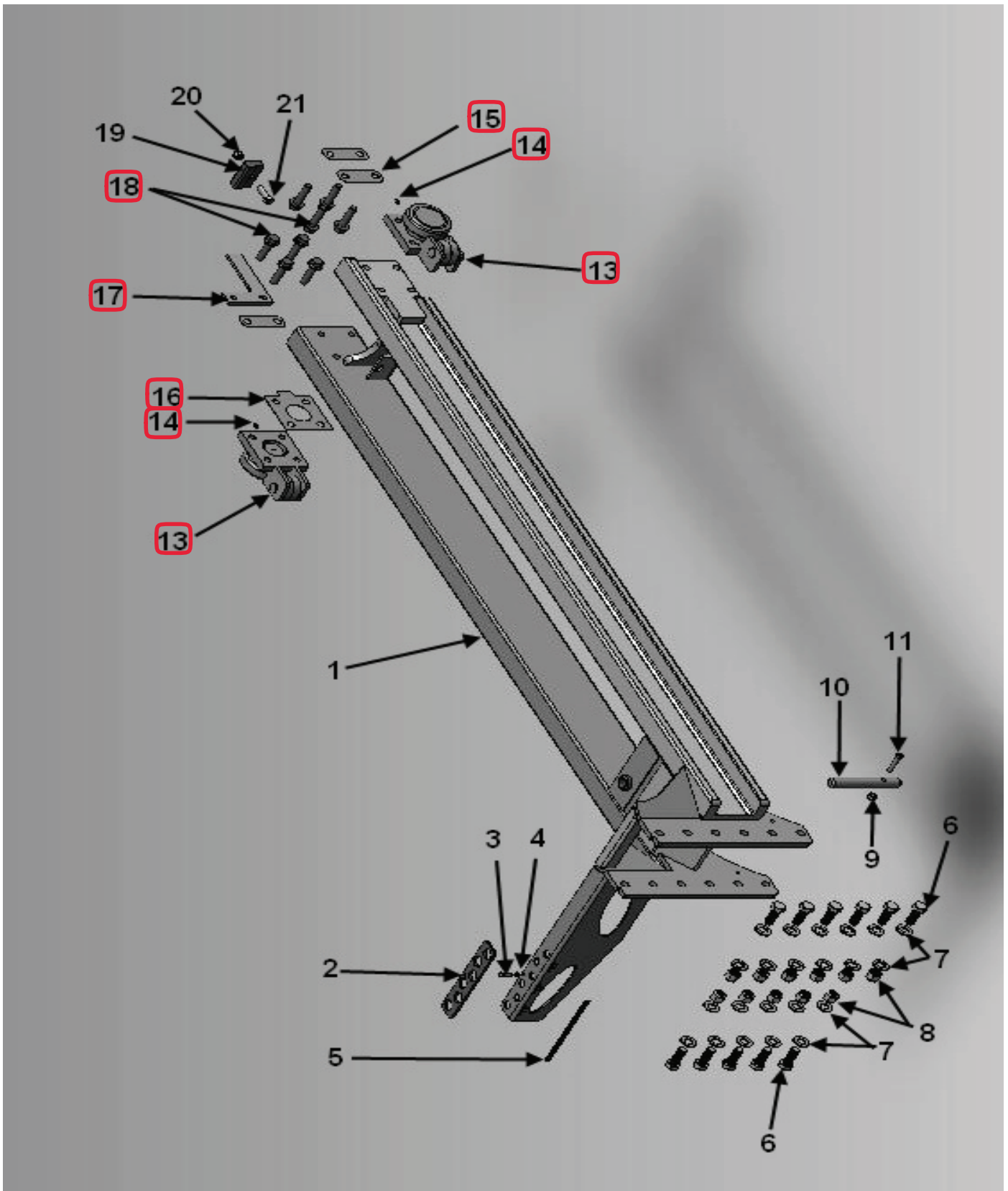


DRIVING THE DIFFERENCE

SECTION 3-1

ARM PARTS MANUAL

CENTER SECTION HORIZONTAL





DRIVING THE DIFFERENCE

SECTION 3-1

ARM PARTS MANUAL

CENTER SECTION HORIZONTAL

REF #	PART #	DESCRIPTION	QTY	MODEL
1	121962	WLDT,HORZ,MAST,CENTER,AMSL	1	ALL MODELS
2	122055	PLATE,BULKHEAD,FTG,RETRAINER,AMSL	1	ALL MODELS
3	119450	BOLT-HHCS, .25-20X1,GR5,ZN	1	ALL MODELS
4	104653	NUT-HEX-NYLOCK, .25-20,ZN	1	ALL MODELS
5	122897	LABEL,ARM HOSE,MYLAR,AMSL	1	ALL MODELS
6	123431	BOLT-HHCS,.75-10X2.25,GR8,ZN	11	ALL MODELS
7	107081	WASHER,FLAT,.75,HARD,ZN,CR	22	ALL MODELS
8	122607	NUT-NYLOCK, .75-10,GR8	11	ALL MODELS
9	104654	NUT-HEX,NYLOCK,.375-16-ZN	1	ALL MODELS
10	122079	SHAFT,HORZ,EXT CYL,FR	1	ALL MODELS
11	120094	BOLT-HHCS, .375-16X3,Z5	1	ALL MODELS
12	118612	CYL, 2.0X54.0X64.79 MAST, HORZ	1	NOT SHOWN
13	121964	WLDT,BEARING,CENTER	2	ALL MODELS
14	100199	ZERK,GREASE,STR, .25-28	4	ALL MODELS
15	122021	PLATE,BOLT RETAINER,LG,AMSL	3	ALL MODELS
16	122024	PLATE-SHIM,SMALL,AMSL	AS REQD	ALL MODELS
17	122066	PLATE,HORZ,BEARING,SPACER,AMSL	1	ALL MODELS
18	122587	BOLT-SFS, .625-11X2.5,ZN	8	ALL MODELS
19	122081	UHMW,HORZ,INNER,BUMPER	1	ALL MODELS
20	122420	NUT-NYLOCK, .5-13,ZN	1	ALL MODELS
21	120944	BOLT-HHCS, .5-13X1.75,Z5	1	ALL MODELS
REF #	PART #	DESCRIPTION	QTY	MODEL

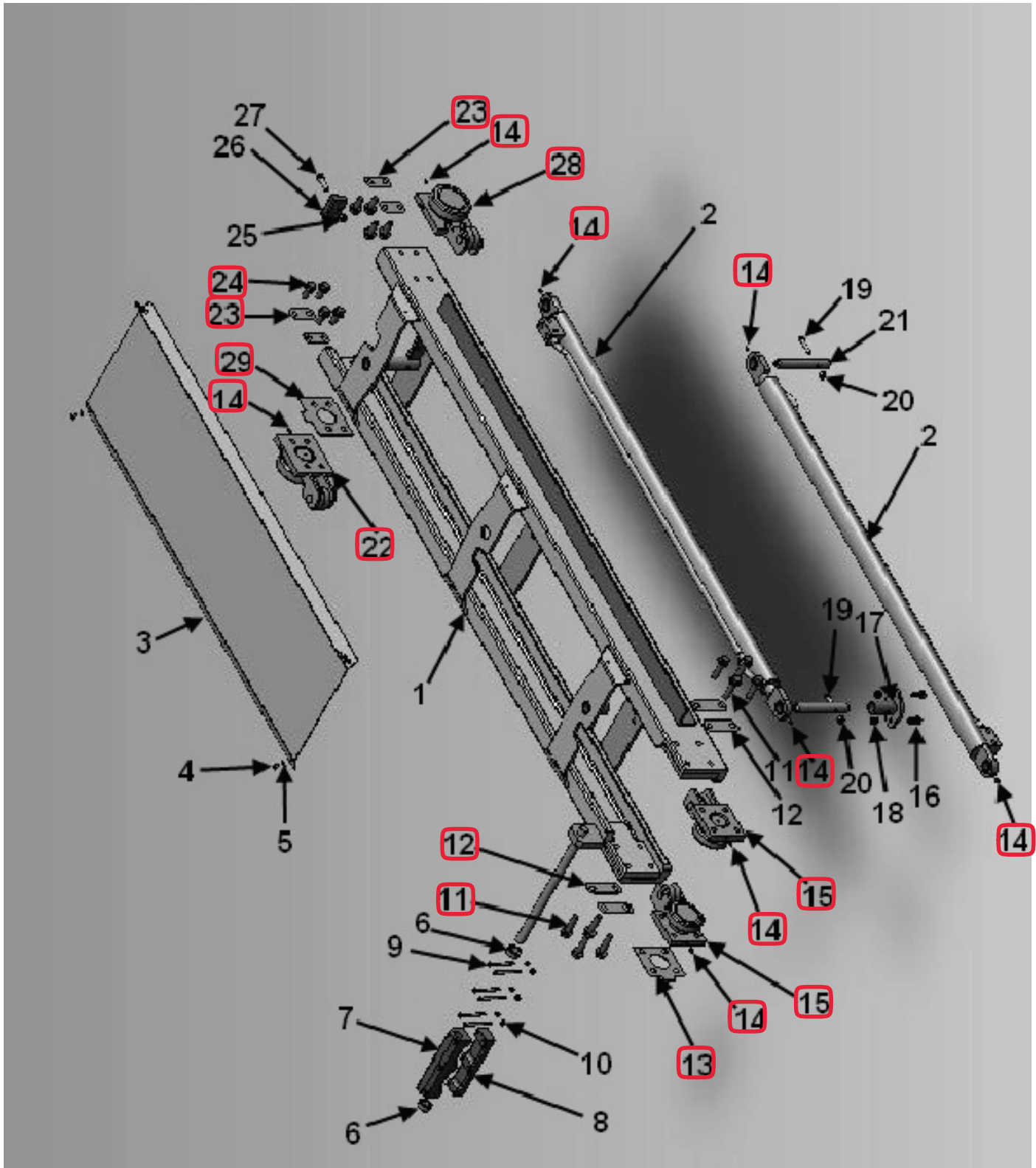


DRIVING THE DIFFERENCE

SECTION 3-1

ARM PARTS MANUAL

INNER SECTION HORIZONTAL





DRIVING THE DIFFERENCE

INNER SECTION HORIZONTAL

REF#	PART #	DESCRIPTION	QTY	MODEL
1	122630	WLDT,HORZ,MAST,INNER,AMSL	1	ALL MODELS
2	118612	CYL, 2.0X54.0X64.79 MAST,HORZ	2	ALL MODELS
3	122631	GUARD,HORZ,INNER,AMSL	1	ALL MODELS
4	121574	BOLT-HHCS, .25-20X .5,GR5,ZN	4	ALL MODELS
5	104666	WASHER,FLAT, .25,ZN	4	ALL MODELS
6	122034	BUSHING,INNER,HOSE CARRIER,AMSL	2	ALL MODELS
7	122059	UHMW,HOSE CARRIER,TOP AMSL	1	ALL MODELS
8	122062	UHMW,HOSE CARRIER,BTM AMSL	1	ALL MODELS
9	122626	BOLT-HHCS, .25-20X3.5,GR5,ZN	6	ALL MODELS
10	104653	NUT-HEX-NYLOCK, .25-20,ZN	6	ALL MODELS
11	122587	BOLT-SFS, .625-11X2.5,ZN	8	ALL MODELS
12	122021	PLATE,BOLT RETAINER,LG,AMSL	4	ALL MODELS
13	122024	PLATE,SHIM,SMALL,AMSL	1	ALL MODELS
14	100199	ZERK,GREASE,STR, .25-28	8	ALL MODELS
15	121964	WLDT,BEARING,CENTER,2.061,AMSL	2	ALL MODELS
16	122347	BOLT-HHCS, .5-13X1.25,GR8,ZN	2	ALL MODELS
17	122080	BUSHING,HORZ,EXT CYL,LOWER,AMSL	1	ALL MODELS
18	122297	NUT-HEX, .5-13,ZN	2	ALL MODELS
19	120094	BOLT-HHCS,.375-16X2,GR5,ZN	2	ALL MODELS
20	104654	NUT-HEX-NYLOCK, .375-16,ZN	2	ALL MODELS
21	122079	SHAFT,HORZ,EXT CYL,FRONT,AMSL	2	ALL MODELS
22	121965	WLDT,BEARING, LF, 2.062, AMSL	1	ALL MODELS
23	122022	PLATE,BOLT RETAINER,SM,AMSL	4	ALL MODELS
24	122586	BOLT-SFS, .625-11X 1.5,ZN	8	ALL MODELS
25	122420	NUT-HEX-NYLOCK, .5-13,ZN	1	ALL MODELS
26	122081	UHMW,HORZ,INNER,BUMPER,AMSL	1	ALL MODELS
27	120944	BOLT-HHCS,.5-13X 1.75,GR5,ZN	1	ALL MODELS
28	121966	WLDT,BEARING,RIGHT,2.062,AMSL	1	ALL MODELS
29	122023	PLATE,SHIM,LARGE,AMSL	AS REQD	ALL MODELS
30				
31				
32				
REF#	PART #	DESCRIPTION	QTY	MODEL