

**Prepared for:**  
 CHRISTIAN LAPOINTE  
 GINOVE INC  
 655 BL DE LA MONTAGNE  
 ST CASIMIR, QC G0A 3L0  
 Phone: 418-339-2191

**Prepared by:**  
 Richard Butler  
 CAMIONS FTL QUEBEC INC.  
 2380 DALTON ST.  
 STE-FOY, QC G1P3X1  
 Phone: 418-657-2425

## S P E C I F I C A T I O N   P R O P O S A L

Data Code	Description	Weight Front	Weight Rear
<b>Price Level</b>			
PRL-08M	M2 PRL-08M (EFF:01/28/2014)		
<b>Data Version</b>			
DRL-019	SPECPRO21 DATA RELEASE VER 019		
<b>Vehicle Configuration</b>			
001-172	M2 106 CONVENTIONAL CHASSIS	5,835	3,515
004-215	2015 MODEL YEAR SPECIFIED		
002-004	SET BACK AXLE - TRUCK		
019-002	STRAIGHT TRUCK PROVISION		
003-001	LH PRIMARY STEERING LOCATION		
<b>General Service</b>			
AA1-002	TRUCK CONFIGURATION		
AA6-033	DOMICILED, CANADA (QUEBEC)		
RCE-00F	FIXED CANADIAN EXCHANGE		
A85-001	REFUSE SERVICE		
A84-1SE	SERVICES BUSINESS SEGMENT		
AA4-013	MOIST BULK COMMODITY		
AA5-002	TERRAIN/DUTY: 100% (ALL) OF THE TIME, IN TRANSIT, IS SPENT ON PAVED ROADS		
AB1-008	MAXIMUM 8% EXPECTED GRADE		
AB5-001	SMOOTH CONCRETE OR ASPHALT PAVEMENT - MOST SEVERE IN-TRANSIT (BETWEEN SITES) ROAD SURFACE		
995-091	MEDIUM TRUCK WARRANTY		
A66-99D	EXPECTED FRONT AXLE(S) LOAD : 16000.0 lbs		
A68-99D	EXPECTED REAR DRIVE AXLE(S) LOAD : 40000.0 lbs		
A63-99D	EXPECTED GROSS VEHICLE WEIGHT CAPACITY : 56000.0 lbs		



**Prepared for:**  
 CHRISTIAN LAPOINTE  
 GINOVE INC  
 655 BL DE LA MONTAGNE  
 ST CASIMIR, QC G0A 3L0  
 Phone: 418-339-2191

**Prepared by:**  
 Richard Butler  
 CAMIONS FTL QUEBEC INC.  
 2380 DALTON ST.  
 STE-FOY, QC G1P3X1  
 Phone: 418-657-2425

Data Code	Description	Weight Front	Weight Rear
<b>Truck Service</b>			
AA3-009	RECYCLING BODY		
A89-99D	BRAKING-EXPECTED CAB TO BODY CLEARANCE : 3.0 in		
AF7-99D	EXPECTED BODY/PAYLOAD CG HEIGHT ABOVE FRAME "XX" INCHES : 32.0 in		
<b>Engine</b>			
101-2XD	CUM ISL 330 HP @ 2000 RPM, 2200 GOV RPM, 1000 LB/FT @ 1400 RPM	640	30
<b>Electronic Parameters</b>			
79A-065	65 MPH ROAD SPEED LIMIT		
79B-000	CRUISE CONTROL SPEED LIMIT SAME AS ROAD SPEED LIMIT		
79K-007	PTO MODE ENGINE RPM LIMIT - 1100 RPM		
79P-002	PTO RPM WITH CRUISE SET SWITCH - 700 RPM		
79Q-003	PTO RPM WITH CRUISE RESUME SWITCH - 800 RPM		
79S-001	PTO MODE CANCEL VEHICLE SPEED - 5 MPH		
79U-007	PTO GOVERNOR RAMP RATE - 250 RPM PER SECOND		
80G-002	PTO MINIMUM RPM - 700		
80J-002	REGEN INHIBIT SPEED THRESHOLD - 5 MPH		
<b>Engine Equipment</b>			
99C-013	2013 ONBOARD DIAGNOSTICS/2010 EPA/CARB/GHG14		
99D-010	NO 2008 CARB EMISSION CERTIFICATION		
13E-001	STANDARD OIL PAN		
105-001	ENGINE MOUNTED OIL CHECK AND FILL		
104-002	FUMOTO DRAIN VALVE(S) ON OIL PAN		
133-004	ONE PIECE VALVE COVER		
014-099	SIDE OF HOOD AIR INTAKE WITH FIREWALL MOUNTED DONALDSON AIR CLEANER		
124-1D7	DR 12V 160 AMP 28-SI QUADRAMOUNT PAD ALTERNATOR WITH REMOTE BATTERY VOLT SENSE		
292-098	(2) ALLIANCE MODEL 1231, GROUP 31, 12 VOLT MAINTENANCE FREE 2250 CCA THREADED STUD BATTERIES		
290-017	BATTERY BOX FRAME MOUNTED		
281-001	STANDARD BATTERY JUMPERS		
282-003	SINGLE BATTERY BOX FRAME MOUNTED LH SIDE BACK OF CAB		



**Prepared for:**  
 CHRISTIAN LAPOINTE  
 GINOVE INC  
 655 BL DE LA MONTAGNE  
 ST CASIMIR, QC G0A 3L0  
 Phone: 418-339-2191

**Prepared by:**  
 Richard Butler  
 CAMIONS FTL QUEBEC INC.  
 2380 DALTON ST.  
 STE-FOY, QC G1P3X1  
 Phone: 418-657-2425

Data Code	Description	Weight Front	Weight Rear
291-017	WIRE GROUND RETURN FOR BATTERY CABLES WITH ADDITIONAL FRAME GROUND RETURN		
289-001	NON-POLISHED BATTERY BOX COVER		
293-058	POSITIVE LOAD DISCONNECT WITH CAB MOUNTED CONTROL SWITCH MOUNTED OUTBOARD DRIVER SEAT	8	
295-029	POSITIVE AND NEGATIVE POSTS FOR JUMPSTART LOCATED ON FRAME NEXT TO STARTER	2	
107-032	CUMMINS TURBOCHARGED 18.7 CFM AIR COMPRESSOR WITH INTERNAL SAFETY VALVE		
108-002	STANDARD MECHANICAL AIR COMPRESSOR GOVERNOR		
131-013	AIR COMPRESSOR DISCHARGE LINE		
152-041	ELECTRONIC ENGINE INTEGRAL SHUTDOWN PROTECTION SYSTEM		
128-076	CUMMINS EXHAUST BRAKE INTEGRAL WITH VARIABLE GEOMETRY TURBO WITH ON/OFF DASH SWITCH	20	
016-1C2	RH OUTBOARD UNDER STEP MOUNTED HORIZONTAL AFTERTREATMENT SYSTEM ASSEMBLY WITH RH B-PILLAR MOUNTED VERTICAL TAILPIPE	30	25
28F-007	ENGINE AFTERTREATMENT DEVICE, AUTOMATIC OVER THE ROAD ACTIVE REGENERATION AND DASH MOUNTED SINGLE REGENERATION REQUEST/INHIBIT SWITCH		
239-050	12 FOOT 06 INCH (150 INCH+0/-5 INCH) EXHAUST SYSTEM HEIGHT		
237-1CR	RH CURVED VERTICAL TAILPIPE B-PILLAR MOUNTED ROUTED FROM STEP		
23U-001	6 GALLON DIESEL EXHAUST FLUID TANK		
30N-003	100 PERCENT DIESEL EXHAUST FLUID FILL		
43X-002	LH MEDIUM DUTY STANDARD DIESEL EXHAUST FLUID TANK LOCATION		
23Y-001	STANDARD DIESEL EXHAUST FLUID PUMP MOUNTING		
43Y-001	STANDARD DIESEL EXHAUST FLUID TANK CAP		
242-011	ALUMINUM AFTERTREATMENT DEVICE/MUFFLER/TAILOPIPE SHIELD(S)		
273-018	HORTON DRIVEMASTER ON/OFF FAN DRIVE		
276-001	AUTOMATIC FAN CONTROL WITHOUT DASH SWITCH, NON ENGINE MOUNTED		
110-003	CUMMINS SPIN ON FUEL FILTER		
118-008	COMBINATION FULL FLOW/BYPASS OIL FILTER		
120-009	FLEETGUARD PLAIN COOLANT FILTER		



**Prepared for:**  
 CHRISTIAN LAPOINTE  
 GINOVE INC  
 655 BL DE LA MONTAGNE  
 ST CASIMIR, QC G0A 3L0  
 Phone: 418-339-2191

**Prepared by:**  
 Richard Butler  
 CAMIONS FTL QUEBEC INC.  
 2380 DALTON ST.  
 STE-FOY, QC G1P3X1  
 Phone: 418-657-2425

Data Code	Description	Weight Front	Weight Rear
266-013	1100 SQUARE INCH ALUMINUM RADIATOR	20	
103-004	ANTIFREEZE TO -34F, NOAT EXTENDED LIFE COOLANT		
171-007	GATES BLUE STRIPE COOLANT HOSES OR EQUIVALENT		
172-001	CONSTANT TENSION HOSE CLAMPS FOR COOLANT HOSES		
270-016	RADIATOR DRAIN VALVE		
168-002	LOWER RADIATOR GUARD		
138-011	PHILLIPS-TEMRO 1000 WATT/115 VOLT BLOCK HEATER	4	
140-053	BLACK PLASTIC ENGINE HEATER RECEPTACLE MOUNTED UNDER LH DOOR		
134-001	ALUMINUM FLYWHEEL HOUSING		
132-004	ELECTRIC GRID AIR INTAKE WARMER		
155-060	DELCO 12V 39MT HD STARTER WITH INTEGRATED MAGNETIC SWITCH	10	

### Transmission

342-582	ALLISON 3000 RDS AUTOMATIC TRANSMISSION WITH PTO PROVISION	200	60
---------	--	-----	----

### Transmission Equipment

343-312	ALLISON VOCATIONAL PACKAGE 142 - AVAILABLE ON 3000/4000 PRODUCT FAMILIES WITH VOCATIONAL MODEL RDS		
84B-013	ALLISON VOCATIONAL RATING FOR REFUSE APPLICATIONS AVAILABLE WITH ALL PRODUCT FAMILIES		
84C-023	PRIMARY MODE GEARS, LOWEST GEAR 1, START GEAR 1, HIGHEST GEAR 6, AVAILABLE FOR 3000/4000 PRODUCT FAMILIES ONLY		
84D-023	SECONDARY MODE GEARS, LOWEST GEAR 1, START GEAR 1, HIGHEST GEAR 6, AVAILABLE FOR 3000/4000 PRODUCT FAMILIES ONLY		
353-023	VEHICLE INTERFACE WIRING WITH BODY BUILDER CONNECTOR MOUNTED END OF FRAME		
34C-001	ELECTRONIC TRANSMISSION CUSTOMER ACCESS CONNECTOR FIREWALL MOUNTED		
362-035	CUSTOMER INSTALLED CHELSEA 277 SERIES PTO		
363-001	PTO MOUNTING, LH SIDE OF MAIN TRANSMISSION		
341-018	MAGNETIC PLUGS, ENGINE DRAIN, TRANSMISSION DRAIN, AXLE(S) FILL AND DRAIN		

Prepared for:  
 CHRISTIAN LAPOINTE  
 GINOVE INC  
 655 BL DE LA MONTAGNE  
 ST CASIMIR, QC G0A 3L0  
 Phone: 418-339-2191

Prepared by:  
 Richard Butler  
 CAMIONS FTL QUEBEC INC.  
 2380 DALTON ST.  
 STE-FOY, QC G1P3X1  
 Phone: 418-657-2425

Data Code	Description	Weight Front	Weight Rear
345-003	PUSH BUTTON ELECTRONIC SHIFT CONTROL, DASH MOUNTED		
97G-004	TRANSMISSION PROGNOSTICS - ENABLED 2013		
370-015	WATER TO OIL TRANSMISSION COOLER, IN RADIATOR END TANK		
346-013	TRANSMISSION OIL CHECK AND FILL WITH CROSSOVER TO CLEAR LH PTO AND DIRECT MOUNT PUMP		
35T-001	SYNTHETIC TRANSMISSION FLUID (TES-295 COMPLIANT)		
<b>Front Axle and Equipment</b>			
400-1A9	DETROIT DA-F-16.0-5 16,000# FL1 71.0 KPI/3.74 DROP SINGLE FRONT AXLE	190	
402-030	MERITOR 16.5X6 Q+ CAST SPIDER CAM FRONT BRAKES, DOUBLE ANCHOR, FABRICATED SHOES		
403-002	NON-ASBESTOS FRONT BRAKE LINING		
419-023	CONMET CAST IRON FRONT BRAKE DRUMS		
427-001	FRONT BRAKE DUST SHIELDS	5	
409-021	SKF SCOTSEAL PLUS XL FRONT OIL SEALS		
408-001	VENTED FRONT HUB CAPS WITH WINDOW, CENTER AND SIDE PLUGS - OIL		
416-022	STANDARD SPINDLE NUTS FOR ALL AXLES		
405-002	MERITOR AUTOMATIC FRONT SLACK ADJUSTERS		
536-012	TRW TAS-85 POWER STEERING	40	
539-003	POWER STEERING PUMP		
534-015	2 QUART SEE THROUGH POWER STEERING RESERVOIR		
533-001	OIL/AIR POWER STEERING COOLER	5	
40T-001	ORGANIC SAE 80/90 FRONT AXLE LUBE		
<b>Front Suspension</b>			
620-004	16,000# FLAT LEAF FRONT SUSPENSION	260	
619-004	GRAPHITE BRONZE BUSHINGS WITH SEALS - FRONT SUSPENSION		
410-001	FRONT SHOCK ABSORBERS	50	
<b>Rear Axle and Equipment</b>			
420-1K4	MT-40-14XP 40,000# R-SERIES TANDEM REAR AXLE		2,530
421-586	5.86 REAR AXLE RATIO		
424-003	IRON REAR AXLE CARRIER WITH OPTIONAL HEAVY DUTY AXLE HOUSING		30



Prepared for:  
 CHRISTIAN LAPOINTE  
 GINOVE INC  
 655 BL DE LA MONTAGNE  
 ST CASIMIR, QC G0A 3L0  
 Phone: 418-339-2191

Prepared by:  
 Richard Butler  
 CAMIONS FTL QUEBEC INC.  
 2380 DALTON ST.  
 STE-FOY, QC G1P3X1  
 Phone: 418-657-2425

Data Code	Description	Weight Front	Weight Rear
386-076	MXL 17N MERITOR EXTENDED LUBE MAIN DRIVELINE WITH FULL ROUND YOKES	30	30
388-076	MXL 17N MERITOR EXTENDED LUBE INTERAXLE DRIVELINE WITH FULL ROUND YOKES		
452-006	DRIVER CONTROLLED TRACTION DIFFERENTIAL - BOTH TANDEM REAR AXLES		30
878-023	(1) INTERAXLE LOCK VALVE, (1) DRIVER CONTROLLED DIFFERENTIAL LOCK FORWARD-REAR AND REAR-REAR AXLE VALVE		
87A-001	BLINKING LAMP WITH EACH MODE SWITCH, INTERAXLE UNLOCK DEFAULT WITH IGNITION OFF		
87B-004	BLINKING LAMP WITH EACH MODE SWITCH, DIFFERENTIAL UNLOCK WITH IGNITION OFF, ACTIVE <5 MPH		
423-020	MERITOR 16.5X7 Q+ CAST SPIDER CAM REAR BRAKES, DOUBLE ANCHOR, FABRICATED SHOES		
433-002	NON-ASBESTOS REAR BRAKE LINING		
434-005	BRAKE CAMS AND CHAMBERS ON FORWARD SIDE OF DRIVE AXLE(S) WITH AUXILIARY SUPPORT BRACKETS		
451-023	CONMET CAST IRON REAR BRAKE DRUMS		
425-002	REAR BRAKE DUST SHIELDS		
440-021	SKF SCOTSEAL PLUS XL REAR OIL SEALS		
426-099	HALDEX GOLDSEAL LONGSTROKE HEAVY DUTY 30/36 2-DRIVE AXLES SPRING PARKING CHAMBERS		20
428-002	MERITOR AUTOMATIC REAR SLACK ADJUSTERS		
41T-002	SYNTHETIC 75W-90 REAR AXLE LUBE		

### Rear Suspension

622-199	AIRLINER 46,000# REAR SUSPENSION		480
621-007	AIRLINER HIGH POSITION RIDE HEIGHT		
431-005	AXLE SEATS WITH RETAINERS		
624-016	51 INCH AXLE SPACING		
888-050	IGNITION CONTROLLED ELECTRIC DUMP SWITCH FOR AIR SUSPENSION WITH GAUGE		
87D-001	REAR AIR SUSPENSION DUMP VALVE AUTOFILL WITH IGNITION OFF OR >5 MPH WITH INDICATOR LIGHT		
910-004	DUAL AIR REAR SUSPENSION LEVELING VALVES		
623-002	TRANSVERSE CONTROL RODS		



Prepared for:  
CHRISTIAN LAPOINTE  
GINOVE INC  
655 BL DE LA MONTAGNE  
ST CASIMIR, QC G0A 3L0  
Phone: 418-339-2191

Prepared by:  
Richard Butler  
CAMIONS FTL QUEBEC INC.  
2380 DALTON ST.  
STE-FOY, QC G1P3X1  
Phone: 418-657-2425

Data Code	Description	Weight Front	Weight Rear
439-005	REAR SHOCK ABSORBERS - TWO AXLES (TANDEM) (AIR RIDE SUSPENSION)		
<b>Brake System</b>			
018-002	AIR BRAKE PACKAGE		
490-100	WABCO 4S/4M ABS WITHOUT TRACTION CONTROL		
871-001	REINFORCED NYLON, FABRIC BRAID AND WIRE BRAID CHASSIS AIR LINES		
904-001	FIBER BRAID PARKING BRAKE HOSE		
412-001	STANDARD BRAKE SYSTEM VALVES		
46D-002	STANDARD AIR SYSTEM PRESSURE PROTECTION SYSTEM		
413-002	STD U.S. FRONT BRAKE VALVE		
432-003	RELAY VALVE WITH 5-8 PSI CRACK PRESSURE, NO REAR PROPORTIONING VALVE		
480-009	BW AD-9 BRAKE LINE AIR DRYER WITH HEATER	20	
479-003	AIR DRYER MOUNTED INBOARD ON LH RAIL		
460-058	STEEL AIR TANKS MOUNTED AFT INSIDE AND/OR BELOW FRAME JUST FORWARD OF REAR SUSPENSION		
607-001	CLEAR FRAME RAILS FROM BACK OF CAB TO FRONT REAR SUSPENSION BRACKET, BOTH RAILS OUTBOARD		
477-004	PULL CABLES ON ALL AIR RESERVOIR(S)		
<b>Trailer Connections</b>			
335-004	UPGRADED CHASSIS MULTIPLEXING UNIT		
32A-002	UPGRADED BULKHEAD MULTIPLEXING UNIT		
<b>Wheelbase &amp; Frame</b>			
545-625	6250MM (246 INCH) WHEELBASE		
546-101	11/32X3-1/2X10-15/16 INCH STEEL FRAME (8.73MMX277.8MM/0.344X10.94 INCH) 120KSI	350	170
547-001	1/4 INCH (6.35MM) C-CHANNEL INNER FRAME REINFORCEMENT	200	410
552-007	2450MM (96 INCH) REAR FRAME OVERHANG		
55W-009	FRAME OVERHANG RANGE: 91 INCH TO 100 INCH	-70	290
AC8-99D	CALC'D BACK OF CAB TO REAR SUSP C/L (CA) : 180.45 in		
AE8-99D	CALCULATED EFFECTIVE BACK OF CAB TO REAR SUSPENSION C/L (CA) : 177.45 in		
AE4-99D	CALC'D FRAME LENGTH - OVERALL : 371.39		
AM6-99D	CALC'D SPACE AVAILABLE FOR DECKPLATE : 180.45 in		



Prepared for:  
 CHRISTIAN LAPOINTE  
 GINOVE INC  
 655 BL DE LA MONTAGNE  
 ST CASIMIR, QC G0A 3L0  
 Phone: 418-339-2191

Prepared by:  
 Richard Butler  
 CAMIONS FTL QUEBEC INC.  
 2380 DALTON ST.  
 STE-FOY, QC G1P3X1  
 Phone: 418-657-2425

Data Code	Description	Weight Front	Weight Rear
FSS-0LH	CALCULATED FRAME SPACE LH SIDE : 101.0 in		
FSS-0RH	CALCULATED FRAME SPACE RH SIDE : 151.75 in		
553-001	SQUARE END OF FRAME		
550-001	FRONT CLOSING CROSSMEMBER		
559-003	LIGHTWEIGHT HEAVY DUTY ALUMINUM ENGINE CROSSMEMBER	-12	
562-001	STANDARD MIDSHIP #1 CROSSMEMBER(S)		
572-001	STANDARD REARMOST CROSSMEMBER		
565-002	HEAVY DUTY SUSPENSION CROSSMEMBER		
<b>Chassis Equipment</b>			
556-1AP	THREE-PIECE 14 INCH PAINTED STEEL BUMPER WITH COLLAPSIBLE ENDS	30	
558-001	FRONT TOW HOOKS - FRAME MOUNTED	15	
574-001	BUMPER MOUNTING FOR SINGLE LICENSE PLATE		
586-024	FENDER AND FRONT OF HOOD MOUNTED FRONT MUDFLAPS		
551-007	GRADE 8 THREADED HEX HEADED FRAME FASTENERS		
<b>Fuel Tanks</b>			
* 204-154	80 GALLON/302 LITER ALUMINUM FUEL TANK - LH	10	
218-001	23 INCH DIAMETER FUEL TANK(S)		
215-005	PLAIN ALUMINUM/PAINTED STEEL FUEL/HYDRAULIC TANK(S) WITH PAINTED BANDS		
212-007	FUEL TANK(S) FORWARD		
664-001	PLAIN STEP FINISH		
205-001	FUEL TANK CAP(S)		
122-084	ALLIANCE FUEL FILTER/WATER SEPARATOR WITH PRIMER PUMP		
216-020	EQUIFLO INBOARD FUEL SYSTEM		
202-016	HIGH TEMPERATURE REINFORCED NYLON FUEL LINE		
221-008	FUEL COOLER MOUNTED LEFT HAND IN RAIL	10	
<b>Tires</b>			
093-1R8	GOODYEAR G289 WHA 315/80R22.5 20 PLY RADIAL FRONT TIRES	86	
094-1KR	GOODYEAR G282 MSD 11R22.5 16 PLY RADIAL REAR TIRES		184
<b>Hubs</b>			





**Prepared for:**  
 CHRISTIAN LAPOINTE  
 GINOVE INC  
 655 BL DE LA MONTAGNE  
 ST CASIMIR, QC G0A 3L0  
 Phone: 418-339-2191

**Prepared by:**  
 Richard Butler  
 CAMIONS FTL QUEBEC INC.  
 2380 DALTON ST.  
 STE-FOY, QC G1P3X1  
 Phone: 418-657-2425

Data Code	Description	Weight Front	Weight Rear
418-045	CONMET PRE-SET BEARING IRON FRONT HUBS		
450-045	CONMET PRE-SET BEARING IRON REAR HUBS		
<b>Wheels</b>			
502-433	ACCURIDE 29039 22.5X9.00 10-HUB PILOT 5.25 INSET 5-HAND STEEL DISC FRONT WHEELS	50	
505-428	ACCURIDE 28828 22.5X8.25 10-HUB PILOT 2-HAND HD STEEL DISC REAR WHEELS		40
496-011	FRONT WHEEL MOUNTING NUTS		
497-011	REAR WHEEL MOUNTING NUTS		
498-011	NYLON WHEEL GUARDS FRONT AND REAR ALL INTERFACES		
<b>Cab Exterior</b>			
829-071	106 INCH BBC FLAT ROOF ALUMINUM CONVENTIONAL CAB		
650-008	AIR CAB MOUNTS		
648-002	NONREMOVABLE BUGSCREEN MOUNTED BEHIND GRILLE		
754-008	2-1/2 INCH FENDER EXTENSIONS	10	
678-001	LH AND RH GRAB HANDLES		
646-023	HOOD MOUNTED CHROMED PLASTIC GRILLE		
65X-003	CHROME HOOD MOUNTED AIR INTAKE GRILLE		
644-004	FIBERGLASS HOOD		
690-016	CAB FLOOR, TOE BOARD AND FIREWALL HEAT SHIELD	5	
727-066	DUAL 26 INCH RECTANGULAR POLISHED ALUMINUM AIR HORNS ROOF MOUNTED	8	
726-002	DUAL ELECTRIC HORNS		
728-002	DUAL HORN SHIELDS		
657-001	DOOR LOCKS AND IGNITION SWITCH KEYED THE SAME		
575-001	REAR LICENSE PLATE MOUNT END OF FRAME		
312-038	INTEGRAL HEADLIGHT/MARKER ASSEMBLY WITH CHROME BEZEL		
302-047	LED AERODYNAMIC MARKER LIGHTS		
311-001	DAYTIME RUNNING LIGHTS		
294-021	TRUCK-LITE 3 CHAMBER MODULES WITH 45 SERIES SEALED BEAM LAMPS		5
300-015	STANDARD FRONT TURN SIGNAL LAMPS		
744-1BC	DUAL WEST COAST BRIGHT FINISH HEATED MIRRORS WITH LH AND RH REMOTE		
797-001	DOOR MOUNTED MIRRORS		
796-001	102 INCH EQUIPMENT WIDTH		



**Prepared for:**  
 CHRISTIAN LAPOINTE  
 GINOVE INC  
 655 BL DE LA MONTAGNE  
 ST CASIMIR, QC G0A 3L0  
 Phone: 418-339-2191

**Prepared by:**  
 Richard Butler  
 CAMIONS FTL QUEBEC INC.  
 2380 DALTON ST.  
 STE-FOY, QC G1P3X1  
 Phone: 418-657-2425

Data Code	Description	Weight Front	Weight Rear
743-204	LH AND RH 8 INCH BRIGHT FINISH CONVEX MIRRORS MOUNTED UNDER PRIMARY MIRRORS		
74A-001	RH DOWN VIEW MIRROR		
729-001	STANDARD SIDE/REAR REFLECTORS		
677-016	DUAL LEVEL CAB ENTRY STEPS ON BOTH SIDES		
764-010	COMPOSITE EXTERIOR SUN VISOR	10	
768-043	63X14 INCH TINTED REAR WINDOW		
661-004	TINTED DOOR GLASS LH AND RH WITH TINTED OPERATING WING WINDOWS		
654-003	MANUAL DOOR WINDOW REGULATORS		
663-013	TINTED WINDSHIELD		
659-019	2 GALLON WINDSHIELD WASHER RESERVOIR WITHOUT FLUID LEVEL INDICATOR, FRAME MOUNTED		
647-001	WHITE WINTERFRONT	2	
<b>Cab Interior</b>			
707-1AK	OPAL GRAY VINYL INTERIOR		
706-013	MOLDED PLASTIC DOOR PANEL		
708-013	MOLDED PLASTIC DOOR PANEL		
772-006	BLACK MATS WITH SINGLE INSULATION		
785-001	DASH MOUNTED ASH TRAYS AND LIGHTER		
691-008	FORWARD ROOF MOUNTED CONSOLE WITH UPPER STORAGE COMPARTMENTS WITHOUT NETTING		
694-010	IN DASH STORAGE BIN		
742-007	(2) CUP HOLDERS LH AND RH DASH		
680-006	GRAY/CHARCOAL FLAT DASH		
860-004	SMART SWITCH EXPANSION MODULE		
720-002	2-1/2 LB. FIRE EXTINGUISHER	5	
700-002	HEATER, DEFROSTER AND AIR CONDITIONER		
701-008	STANDARD HVAC DUCTING WITH SNOW SHIELD FOR FRESH AIR INTAKE		
703-005	MAIN HVAC CONTROLS WITH RECIRCULATION SWITCH		
170-015	STANDARD HEATER PLUMBING		
130-033	DENSO HEAVY DUTY AIR CONDITIONER COMPRESSOR		
702-002	BINARY CONTROL, R-134A		
739-034	PREMIUM INSULATION		
285-027	SOLID-STATE CIRCUIT PROTECTION AND FUSES WITH SPARE FUSE KIT		



**Prepared for:**  
 CHRISTIAN LAPOINTE  
 GINOVE INC  
 655 BL DE LA MONTAGNE  
 ST CASIMIR, QC G0A 3L0  
 Phone: 418-339-2191

**Prepared by:**  
 Richard Butler  
 CAMIONS FTL QUEBEC INC.  
 2380 DALTON ST.  
 STE-FOY, QC G1P3X1  
 Phone: 418-657-2425

Data Code	Description	Weight Front	Weight Rear
280-007	12V NEGATIVE GROUND ELECTRICAL SYSTEM		
324-011	DOMED DOOR ACTIVATED LH AND RH, DUAL READING LIGHTS, FORWARD CAB ROOF		
655-001	CAB DOOR LATCHES WITH MANUAL DOOR LOCKS		
284-023	(1) 12 VOLT POWER SUPPLY IN DASH		
722-002	TRIANGULAR REFLECTORS WITHOUT FLARES	10	
756-1D9	PREMIUM HIGH BACK AIR SUSPENSION DRIVER SEAT WITH 3 CHAMBER AIR LUMBAR, INTEGRATED CUSHION EXTENSION, FORWARD AND REAR CUSHION TILT, ADJUSTABLE SHOCK ABSORBER	70	
760-1DC	BASIC HIGH BACK NON SUSPENSION PASSENGER SEAT		
711-004	LH AND RH INTEGRAL DOOR PANEL ARMRESTS		
758-022	BLACK MORDURA CLOTH DRIVER SEAT COVER		
761-023	BLACK MORDURA CLOTH PASSENGER SEAT COVER		
763-032	3 POINT FIXED D-RING RETRACTOR DRIVER AND PASSENGER SEAT BELTS		
532-002	ADJUSTABLE TILT AND TELESCOPING STEERING COLUMN	10	
540-015	4-SPOKE 18 INCH (450MM) STEERING WHEEL		
765-002	DRIVER AND PASSENGER INTERIOR SUN VISORS		

### Instruments & Controls

732-004	GRAY DRIVER INSTRUMENT PANEL		
734-004	GRAY CENTER INSTRUMENT PANEL		
87L-005	ENGINE REMOTE INTERFACE WITHOUT INTERLOCKS		
870-001	BLACK GAUGE BEZELS		
486-001	LOW AIR PRESSURE LIGHT AND BUZZER		
840-002	2 INCH PRIMARY AND SECONDARY AIR PRESSURE GAUGES		
198-025	INTAKE MOUNTED AIR RESTRICTION INDICATOR WITHOUT GRADUATIONS		
721-001	97 DB BACKUP ALARM		3
149-013	ELECTRONIC CRUISE CONTROL WITH SWITCHES IN LH SWITCH PANEL		
156-007	KEY OPERATED IGNITION SWITCH AND INTEGRAL START POSITION; 4 POSITION OFF/RUN/START/ACCESSORY		
811-011	ODOMETER/TRIP/HOUR/DIAGNOSTIC/VOLTAGE DISPLAY: 1X7 CHARACTER, 26 WARNING LAMPS, DATA LINKED, ICU3		

**Prepared for:**  
 CHRISTIAN LAPOINTE  
 GINOVE INC  
 655 BL DE LA MONTAGNE  
 ST CASIMIR, QC G0A 3L0  
 Phone: 418-339-2191

**Prepared by:**  
 Richard Butler  
 CAMIONS FTL QUEBEC INC.  
 2380 DALTON ST.  
 STE-FOY, QC G1P3X1  
 Phone: 418-657-2425

Data Code	Description	Weight Front	Weight Rear
160-025	DIAGNOSTIC INTERFACE CONNECTOR, 9 PIN, SAE J1939, LOCATED BELOW DASH		
844-001	2 INCH ELECTRIC FUEL GAUGE		
148-070	ENGINE REMOTE INTERFACE WITH PRESET FAST IDLE		
163-004	ENGINE REMOTE INTERFACE CONNECTOR IN ENGINE COMPARTMENT		
856-001	ELECTRICAL ENGINE COOLANT TEMPERATURE GAUGE		
864-001	2 INCH TRANSMISSION OIL TEMPERATURE GAUGE		
830-017	ENGINE AND TRIP HOUR METERS INTEGRAL WITHIN DRIVER DISPLAY		
372-051	CUSTOMER FURNISHED AND INSTALLED PTO CONTROLS		
852-002	ELECTRIC ENGINE OIL PRESSURE GAUGE		
679-001	OVERHEAD INSTRUMENT PANEL		
746-1A2	AM/FM/WB RADIO WITH FRONT AUXILIARY INPUT	10	
747-001	DASH MOUNTED RADIO		
750-002	(2) RADIO SPEAKERS IN CAB		
753-001	AM/FM ANTENNA MOUNTED ON FORWARD LH ROOF	2	
810-028	ELECTRONIC KPH SPEEDOMETER WITH SECONDARY MPH SCALE, WITHOUT ODOMETER		
817-001	STANDARD VEHICLE SPEED SENSOR		
812-001	ELECTRONIC 3000 RPM TACHOMETER		
162-011	IDLE LIMITER, ELECTRONIC ENGINE		
836-015	DIGITAL VOLTAGE DISPLAY INTEGRAL WITH DRIVER DISPLAY		
660-008	SINGLE ELECTRIC WINDSHIELD WIPER MOTOR WITH DELAY		
304-003	MARKER LIGHT/HEADLIGHT SWITCH WITH SEPARATE INTERRUPTER FOR CLEARANCE LIGHTS		
882-009	ONE VALVE PARKING BRAKE SYSTEM WITH WARNING INDICATOR		
299-013	SELF CANCELING TURN SIGNAL SWITCH WITH DIMMER, WASHER/WIPER AND HAZARD IN HANDLE		
298-039	INTEGRAL ELECTRONIC TURN SIGNAL FLASHER WITH HAZARD LAMPS OVERRIDING STOP LAMPS		

## Design

**Prepared for:**  
 CHRISTIAN LAPOINTE  
 GINOVE INC  
 655 BL DE LA MONTAGNE  
 ST CASIMIR, QC G0A 3L0  
 Phone: 418-339-2191

**Prepared by:**  
 Richard Butler  
 CAMIONS FTL QUEBEC INC.  
 2380 DALTON ST.  
 STE-FOY, QC G1P3X1  
 Phone: 418-657-2425

Data Code	Description	Weight Front	Weight Rear
065-000	PAINT: ONE SOLID COLOR		
<b>Color</b>			
980-1P5	CAB COLOR A: N1804EA WHITE ELITE SS		
986-020	BLACK, HIGH SOLIDS POLYURETHANE CHASSIS PAINT		
962-972	POWDER WHITE (N0006EA) FRONT WHEELS/RIMS (PKWHT21, TKWHT21, W, TW)		
966-972	POWDER WHITE (N0006EA) REAR WHEELS/RIMS (PKWHT21, TKWHT21, W, TW)		
964-6Z7	BUMPER PAINT: FP24812 ARGENT SILVER DUPONT FLEX		
976-995	SUNVISOR PAINTED SAME AS CAB COLOR A		
<b>Certification / Compliance</b>			
996-002	CANADA CMVSS CERTIFICATION, EXCEPT SALES CABS AND GLIDER KITS		

**T O T A L V E H I C L E S U M M A R Y**

<b>Weight Summary</b>			
	Weight Front	Weight Rear	Total Weight
Factory Weight <sup>+</sup>	8180 lbs	7852 lbs	16032 lbs
<b>Total Weight<sup>+</sup></b>	<b>8180 lbs</b>	<b>7852 lbs</b>	<b>16032 lbs</b>

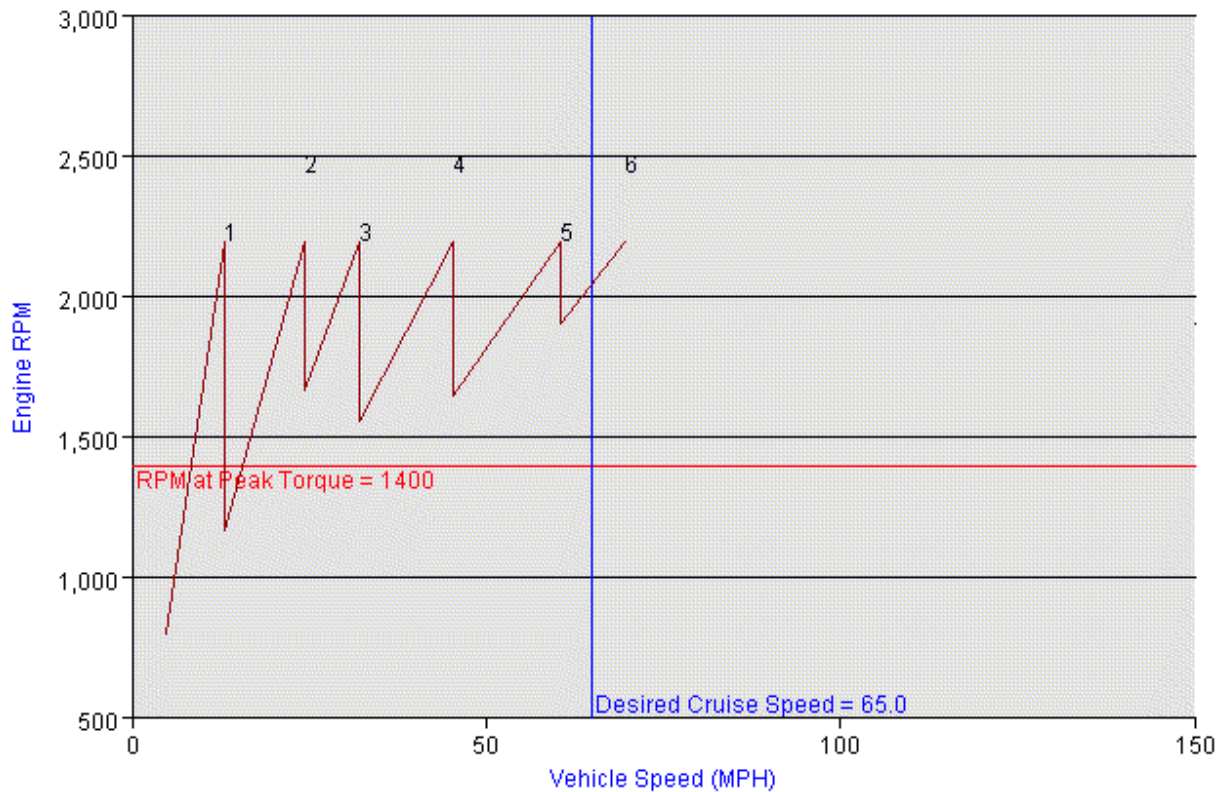
(+) Weights shown are estimates only.  
 If weight is critical, contact Customer Application Engineering.



Prepared for:  
 CHRISTIAN LAPOINTE  
 GINOVE INC  
 655 BL DE LA MONTAGNE  
 ST CASIMIR, QC G0A 3L0  
 Phone: 418-339-2191

Prepared by:  
 Richard Butler  
 CAMIONS FTL QUEBEC INC.  
 2380 DALTON ST.  
 STE-FOY, QC G1P3X1  
 Phone: 418-657-2425

## SHIFT CHART



## VEHICLE SPECIFICATIONS SUMMARY - SHIFT CHART

Model ..... M2106  
 Cab Size (829) ..... 106 INCH BBC FLAT ROOF ALUMINUM CONVENTIONAL CAB  
 Desired Cruise Speed (mph) ..... 65.0  
 Engine (101) ..... CUM ISL 330 HP @ 2000 RPM, 2200 GOV RPM, 1000 LB/FT @ 1400 RPM



**Prepared for:**  
 CHRISTIAN LAPOINTE  
 GINOVE INC  
 655 BL DE LA MONTAGNE  
 ST CASIMIR, QC G0A 3L0  
 Phone: 418-339-2191

**Prepared by:**  
 Richard Butler  
 CAMIONS FTL QUEBEC INC.  
 2380 DALTON ST.  
 STE-FOY, QC G1P3X1  
 Phone: 418-657-2425

RPM at Peak Torque .....	1400
Governed RPM .....	2200
Transmission (342) .....	ALLISON 3000 RDS AUTOMATIC TRANSMISSION WITH PTO PROVISION
Gear Ratio: LL .....	N/A
Gear Ratio: L .....	N/A
Gear Ratio: 1 .....	3.49
Gear Ratio: 2 .....	1.86
Gear Ratio: 3 .....	1.41
Gear Ratio: 4 .....	1
Gear Ratio: 5 .....	0.75
Gear Ratio: 6 .....	0.65
Gear Ratio: 7 .....	N/A
Gear Ratio: 8 .....	N/A
Gear Ratio: 9 .....	N/A
Gear Ratio: 10 .....	N/A
Gear Ratio: 11 .....	N/A
Gear Ratio: 12 .....	N/A
Gear Ratio: 13 .....	N/A
Gear Ratio: 14 .....	N/A
Gear Ratio: 15 .....	N/A
Gear Ratio: 16 .....	N/A
Gear Ratio: 17 .....	N/A
Gear Ratio: 18 .....	N/A
Auxiliary Transmission (352) .....	NO AUXILIARY TRANSMISSION
Low Gear Ratio .....	N/A
High Gear Ratio .....	N/A
Transfer Case (373) .....	NO TRANSFER CASE
Low Gear Ratio .....	N/A
High Gear Ratio .....	N/A
Rear Axle (420) .....	MT-40-14XP 40,000# R-SERIES TANDEM REAR AXLE
Number of Speeds .....	1
Rear Axle Gear Ratio(s) .....	5.86 REAR AXLE RATIO
Rear Tires (094) .....	GOODYEAR G282 MSD 11R22.5 16 PLY RADIAL REAR TIRES
Revolutions per Mile .....	497

**TABLE SUMMARY - SHIFT CHART**



**Prepared for:**  
 CHRISTIAN LAPOINTE  
 GINOVE INC  
 655 BL DE LA MONTAGNE  
 ST CASIMIR, QC G0A 3L0  
 Phone: 418-339-2191

**Prepared by:**  
 Richard Butler  
 CAMIONS FTL QUEBEC INC.  
 2380 DALTON ST.  
 STE-FOY, QC G1P3X1  
 Phone: 418-657-2425

Transmission Gear	Transmission Gear Ratio	Rear Axle Ratio	Overall Gear Ratio	Percent Split	RPM After Shift	MPH at Peak Torque RPM	MPH at Governed
1	3.40	3.00	20.40	NA	800	8.3	13.0
2	1.80	3.00	10.80	87.8	1177	16.6	24.4
3	1.41	3.00	8.28	31.0	1668	20.6	32.1
4	1.00	3.00	6.00	41.0	1800	28.8	46.3
5	0.76	3.00	4.40	72.3	1860	28.6	40.4
6	0.66	3.00	3.81	16.4	1907	44.4	49.7

Performance calculations are estimates only. If performance calculations are critical, please contact Customer Application Engineering.

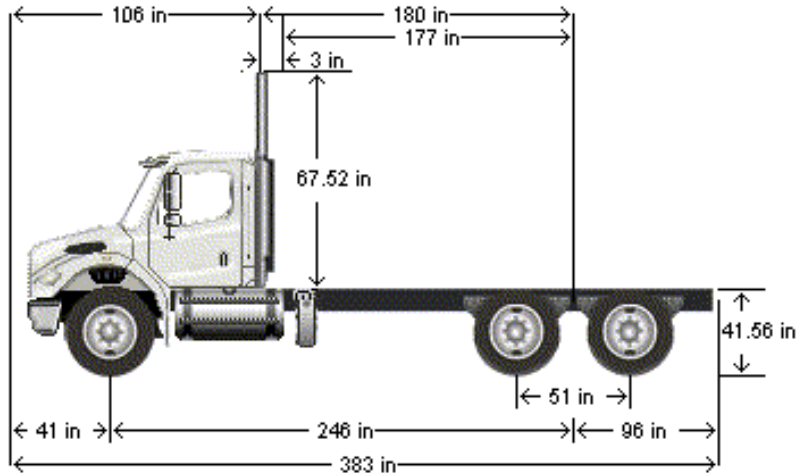




**Prepared for:**  
 CHRISTIAN LAPOINTE  
 GINOVE INC  
 655 BL DE LA MONTAGNE  
 ST CASIMIR, QC G0A 3L0  
 Phone: 418-339-2191

**Prepared by:**  
 Richard Butler  
 CAMIONS FTL QUEBEC INC.  
 2380 DALTON ST.  
 STE-FOY, QC G1P3X1  
 Phone: 418-657-2425

## D I M E N S I O N S



## VEHICLE SPECIFICATIONS SUMMARY - DIMENSIONS

Model ..... M2106  
 Wheelbase (545)..... 6250MM (246 INCH) WHEELBASE  
 Rear Frame Overhang (552).....2450MM (96 INCH) REAR FRAME OVERHANG  
 Fifth Wheel (578) .....NO FIFTH WHEEL  
   Mounting Location (577) ..... NO FIFTH WHEEL LOCATION  
   Maximum Forward Position (in) ..... 0  
   Maximum Rearward Position (in)..... 0  
   Amount of Slide Travel (in) ..... 0  
   Slide Increment (in)..... 0  
   Desired Slide Position (in)..... 0.0  
 Cab Size (829) .....106 INCH BBC FLAT ROOF ALUMINUM CONVENTIONAL CAB  
 Sleeper (682) ..... NO SLEEPER BOX/SLEEPERCAB  
 Exhaust System (016).....RH OUTBOARD UNDER STEP MOUNTED HORIZONTAL AFTERTREATMENT SYSTEM ASSEMBLY WITH RH B-PILLAR MOUNTED VERTICAL TAILPIPE

**Prepared for:**  
 CHRISTIAN LAPOINTE  
 GINOVE INC  
 655 BL DE LA MONTAGNE  
 ST CASIMIR, QC G0A 3L0  
 Phone: 418-339-2191

**Prepared by:**  
 Richard Butler  
 CAMIONS FTL QUEBEC INC.  
 2380 DALTON ST.  
 STE-FOY, QC G1P3X1  
 Phone: 418-657-2425

**TABLE SUMMARY - DIMENSIONS**

Dimensions	Inches
Bumper to Back of Cab (BBC)	<b>100.3</b>
Bumper to Centerline of Front Axle (BA)	<b>40.7</b>
Min. Cab to Body Clearance (CB)	<b>3.0</b>
Back of Cab to Centerline of Rear Axle(s) (CA)	<b>180.4</b>
Effective Back of Cab to Centerline of Rear Axle(s) (Effective CA)	<b>177.4</b>
Back of Cab Protrusions (Exhaust/Intake) (CP)	<b>1.6</b>
Back of Cab Protrusions (Side Extenders/Trim Tab) (CP)	<b>0.0</b>
Back of Cab Clearance (CL)	<b>3.0</b>
Back of Cab to End of Frame	<b>270.4</b>
Cab Height (CH)	<b>87.6</b>
Wheelbase (WB)	<b>248.0</b>
Frame Overhang (OH)	<b>88.0</b>
Overall Length (OAL)	<b>382.7</b>
Rear Axle Spacing	<b>81.0</b>
Unladen Frame Height at Centerline of Rear Axle	<b>41.8</b>

Performance calculations are estimates only. If performance calculations are critical, please contact Customer Application Engineering.



**Prepared for:**  
 CHRISTIAN LAPOINTE  
 GINOVE INC  
 655 BL DE LA MONTAGNE  
 ST CASIMIR, QC G0A 3L0  
 Phone: 418-339-2191

**Prepared by:**  
 Richard Butler  
 CAMIONS FTL QUEBEC INC.  
 2380 DALTON ST.  
 STE-FOY, QC G1P3X1  
 Phone: 418-657-2425

**G V W R**

**VEHICLE SPECIFICATIONS SUMMARY - GVWR**

Model .....	M2106
Cab Size (829) .....	106 INCH BBC FLAT ROOF ALUMINUM CONVENTIONAL CAB
Expected Front Axle(s) Load (lbs) .....	16000.0
Expected Pusher Axle(s) Load (lbs) .....	0.0
Expected Rear Axle(s) Load (lbs) .....	40000.0
Expected Tag Axle(s) Load (lbs) .....	0.0
Expected GVW (lbs) .....	56000
Expected GCW (lbs) .....	0.0
Front Axle (400) .....	DETROIT DA-F-16.0-5 16,000# FL1 71.0 KPI/3.74 DROP SINGLE FRONT AXLE
Front Suspension (620) .....	16,000# FLAT LEAF FRONT SUSPENSION
Front Hubs (418) .....	CONMET PRE-SET BEARING IRON FRONT HUBS
Front Disc Wheels (502) .....	ACCURIDE 29039 22.5X9.00 10-HUB PILOT 5.25 INSET 5-HAND STEEL DISC FRONT WHEELS
Front Tires (093) .....	GOODYEAR G289 WHA 315/80R22.5 20 PLY RADIAL FRONT TIRES
Front Brakes (402) .....	MERITOR 16.5X6 Q+ CAST SPIDER CAM FRONT BRAKES, DOUBLE ANCHOR, FABRICATED SHOES
Steering Gear (536) .....	TRW TAS-85 POWER STEERING
Rear Axle (420) .....	MT-40-14XP 40,000# R-SERIES TANDEM REAR AXLE
Rear Suspension (622) .....	AIRLINER 46,000# REAR SUSPENSION
Rear Hubs (450) .....	CONMET PRE-SET BEARING IRON REAR HUBS
Rear Disc Wheels (505) .....	ACCURIDE 28828 22.5X8.25 10-HUB PILOT 2-HAND HD STEEL DISC REAR WHEELS
Rear Tires (094) .....	GOODYEAR G282 MSD 11R22.5 16 PLY RADIAL REAR TIRES
Rear Brakes (423) .....	MERITOR 16.5X7 Q+ CAST SPIDER CAM REAR BRAKES, DOUBLE ANCHOR, FABRICATED SHOES
Pusher / Tag Axle (443) .....	NO PUSHER OR TAG AXLE
Pusher / Tag Suspension (626) .....	NO PUSHER OR TAG SUSPENSION
Pusher / Tag Hubs (449) .....	NO PUSHER OR TAG HUBS
Pusher/Tag Disc Wheels (509) .....	NO PUSHER/TAG DISC WHEELS
Pusher / Tag Tires (095) .....	NO PUSHER/TAG TIRES
Pusher / Tag Brakes (456) .....	NO PUSHER/TAG BRAKES



**Prepared for:**  
 CHRISTIAN LAPOINTE  
 GINOVE INC  
 655 BL DE LA MONTAGNE  
 ST CASIMIR, QC G0A 3L0  
 Phone: 418-339-2191

**Prepared by:**  
 Richard Butler  
 CAMIONS FTL QUEBEC INC.  
 2380 DALTON ST.  
 STE-FOY, QC G1P3X1  
 Phone: 418-657-2425

**TABLE SUMMARY - GVWR**

	Front	Rear 1	Rear 2
<b>Axle Component Weight Ratings</b>			
Axles	18000	20000	20000
Suspension	18000	23000	23000
Hubs	23000	26000	26000
Brakes	18000	23000	23000
Wheels	20000	32000	32000
Tires	20400	24020	24020
Power Steering	18000	NA	NA
GAWR (per axle)	18000	20000	20000
GAWR (per axle system)	18000		40000
Expected Load (per axle system)	18000		40000
<b>Vehicle GVWR Summary</b>			
Calculated GVWR	60000		
Expected GVWR	60000		
All weights displayed in pounds			

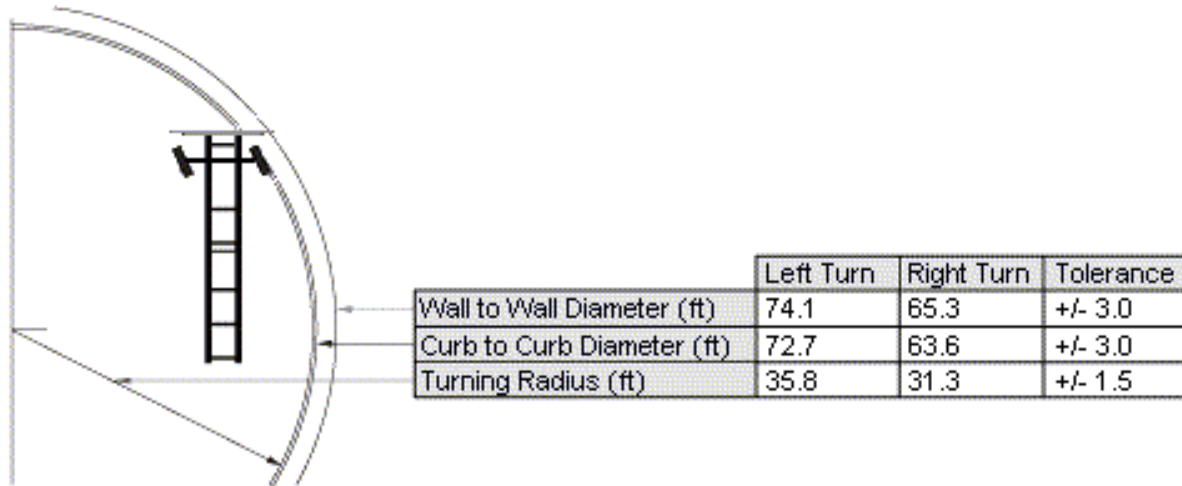
Performance calculations are estimates only. If performance calculations are critical, please contact Customer Application Engineering.



**Prepared for:**  
 CHRISTIAN LAPOINTE  
 GINOVE INC  
 655 BL DE LA MONTAGNE  
 ST CASIMIR, QC G0A 3L0  
 Phone: 418-339-2191

**Prepared by:**  
 Richard Butler  
 CAMIONS FTL QUEBEC INC.  
 2380 DALTON ST.  
 STE-FOY, QC G1P3X1  
 Phone: 418-657-2425

## TURNING RADIUS



## VEHICLE SPECIFICATIONS SUMMARY - TURNING RADIUS

Model ..... M2106  
 Cab Size (829) ..... 106 INCH BBC FLAT ROOF ALUMINUM CONVENTIONAL CAB  
 Wheelbase (545) ..... 6250MM (246 INCH) WHEELBASE  
 Front Tires (093) ..... GOODYEAR G289 WHA 315/80R22.5 20 PLY RADIAL FRONT TIRES  
   Width (in) ..... 12.7  
 Front Axle (400) ..... DETROIT DA-F-16.0-5 16,000# FL1 71.0 KPI/3.74 DROP SINGLE FRONT AXLE  
   Kingpin Intersection (in) ..... 71  
 Bumper (556) ..... THREE-PIECE 14 INCH PAINTED STEEL BUMPER WITH COLLAPSIBLE ENDS  
   Width (in) ..... 92.5  
   Bumper Miter to Front Axle (in) ..... 21.458  
 Primary Steering Location (003) ..... LH PRIMARY STEERING LOCATION  
 Steering Gear (536) ..... TRW TAS-85 POWER STEERING  
   Dual Steering Gear ..... NONE  
   Ram ..... RIGHT  
 Rear Axle (420) ..... MT-40-14XP 40,000# R-SERIES TANDEM REAR AXLE  
 Axle Spacing (624) ..... 51 INCH AXLE SPACING

**Prepared for:**  
CHRISTIAN LAPOINTE  
GINOVE INC  
655 BL DE LA MONTAGNE  
ST CASIMIR, QC G0A 3L0  
Phone: 418-339-2191

**Prepared by:**  
Richard Butler  
CAMIONS FTL QUEBEC INC.  
2380 DALTON ST.  
STE-FOY, QC G1P3X1  
Phone: 418-657-2425

Performance calculations are estimates only. If performance calculations are critical, please contact Customer Application Engineering.



**Prepared for:**  
 CHRISTIAN LAPOINTE  
 GINOVE INC  
 655 BL DE LA MONTAGNE  
 ST CASIMIR, QC G0A 3L0  
 Phone: 418-339-2191

**Prepared by:**  
 Richard Butler  
 CAMIONS FTL QUEBEC INC.  
 2380 DALTON ST.  
 STE-FOY, QC G1P3X1  
 Phone: 418-657-2425

## F R A M E R B M

### VEHICLE SPECIFICATIONS SUMMARY - FRAME RBM

Wheelbase (545)..... 6250MM (246 INCH) WHEELBASE  
 Frame Rails (546) ..... 11/32X3-1/2X10-15/16 INCH STEEL FRAME (8.73MMX277.8MM/0.344X10.94 INCH) 120KSI(546)  
     Yield Strength (psi) ..... 120000  
     Section Modulus (per rail) (cu in) ..... 16.979  
     RBM (per rail) (lbf-in) ..... 2040000  
 Inner Frame Reinforcement (547)..... 1/4 INCH (6.35MM) C-CHANNEL INNER FRAME REINFORCEMENT  
 Outer Frame Reinforcement (548)..... NO OUTER FRAME REINFORCEMENT

### TABLE SUMMARY - FRAME RBM

Item	Description / Value
Wheelbase	<b>6250MM (246 INCH) WHEELBASE</b>
Frame	<b>11/32X3-1/2X10-15/16 INCH STEEL FRAME (8.73MMX277.8MM/0.344X10.94 INCH) 120KSI</b>
Inner Frame Reinforcement	<b>1/4 INCH (6.35MM) C-CHANNEL INNER FRAME REINFORCEMENT</b>
Outer Frame Reinforcement	<b>NO OUTER FRAME REINFORCEMENT</b>
Yield Strength (psi)	<b>120000</b>
Section Modulus per rail (cu. in.)	<b>16.98</b>
Frame RBM - per rail (lbf-in)	<b>3217200</b>

Performance calculations are estimates only. If performance calculations are critical, please contact Customer Application Engineering.



**Prepared for:**  
 CHRISTIAN LAPOINTE  
 GINOVE INC  
 655 BL DE LA MONTAGNE  
 ST CASIMIR, QC G0A 3L0  
 Phone: 418-339-2191

**Prepared by:**  
 Richard Butler  
 CAMIONS FTL QUEBEC INC.  
 2380 DALTON ST.  
 STE-FOY, QC G1P3X1  
 Phone: 418-657-2425

## F R A M E   S I D E   S P A C E

### VEHICLE SPECIFICATIONS SUMMARY - FRAME SIDE SPACE

Model .....	M2106
Wheelbase (545).....	6250MM (246 INCH) WHEELBASE
Cab Size (829).....	106 INCH BBC FLAT ROOF ALUMINUM CONVENTIONAL CAB
Sleeper (682) .....	NO SLEEPER BOX/SLEEPER CAB
Exhaust System (016).....	RH OUTBOARD UNDER STEP MOUNTED HORIZONTAL AFTERTREATMENT SYSTEM ASSEMBLY WITH RH B-PILLAR MOUNTED VERTICAL TAILPIPE
Frame Side Space LH (in) .....	101.005
Frame Side Space RH (in).....	151.754
Battery Box (290).....	BATTERY BOX FRAME MOUNTED
Left-Hand Fuel Tank (204).....	80 GALLON/302 LITER ALUMINUM FUEL TANK - LH
Left-Hand Auxiliary Fuel / Oil Tank(200).....	NO LH AUXILIARY FUEL TANK
Right-Hand Fuel Tank (206) .....	NO RH FUEL TANK
Right-Hand Auxiliary Fuel / Oil Tank(201) .....	NO RH AUXILIARY FUEL TANK
Diesel Exhaust Fluid Tank(23U) .....	6 GALLON DIESEL EXHAUST FLUID TANK
Rear Fenders(583).....	NO REAR QUARTER FENDERS
Hydraulic Tank (203).....	NO HYDRAULIC OIL TANK

### TABLE SUMMARY - FRAME SIDE SPACE





Prepared for:  
 CHRISTIAN LAPOINTE  
 GINOVE INC  
 655 BL DE LA MONTAGNE  
 ST CASIMIR, QC G0A 3L0  
 Phone: 418-339-2191

Prepared by:  
 Richard Butler  
 CAMIONS FTL QUEBEC INC.  
 2380 DALTON ST.  
 STE-FOY, QC G1P3X1  
 Phone: 418-657-2425

Dimensions (Left Side)	inches
Max CP - Maximum value of all Cab Protrusions	3.0
Bumper to chassis zero dimension	3.3
First front axle to chassis zero dimension	37.4
Bumper to Centerline of Front Axle (BA)	40.7
Wheelbase (WB)	248.0
Frame Overhang (OH)	88.0
Overall Length (OAL)	382.7
Length of Front Tire Unladen Radius (UR)	21.8
Length of Rear Tire Unladen Radius (UR)	21.0
Length Rear Axle Spacing factor	61.0
Pusher Axle Spacing	0.0
Length of Pusher Tire Unladen Radius (UR)	0.0
Frame Base Left Side	101.0
Side Step Left Side	0.0
Exhaust Left Side	0.0
Liner Tank 1 left Side	6.8
Battery Box Left Side	20.4
Fuel Tank Left Side	48.6
Hydraulic Tank Left Side	0.0
Aux1 Tank Left Side	0.0
Aux2 Tank Left Side	0.0
StoneBox1 Tank Left Side	0.0
StoneBox2 Tank Left Side	0.0
Frame Step Left Side	0.0
Fender Left Side	0.0
Other1 Left Side	0.0
Other2 Left Side	0.0
Adj Left Side	0.0



Prepared for:  
 CHRISTIAN LAPOINTE  
 GINOVE INC  
 655 BL DE LA MONTAGNE  
 ST CASIMIR, QC G0A 3L0  
 Phone: 418-339-2191

Prepared by:  
 Richard Butler  
 CAMIONS FTL QUEBEC INC.  
 2380 DALTON ST.  
 STE-FOY, QC G1P3X1  
 Phone: 418-657-2425

Dimensions (Right Side)	inches
Max CP - Maximum value of all Cab Protrusions	3.0
Bumper to chassis zero dimension	3.3
First front axle to chassis zero dimension	37.4
Bumper to Centerline of Front Axle (BA)	40.7
Wheelbase (WB)	248.0
Frame Overhang (OH)	88.0
Overall Length (OAL)	382.7
Length of Front Tire Unladen Radius (UR)	21.8
Length of Rear Tire Unladen Radius (UR)	21.0
Length Rear Axle Spacing factor	61.0
Pusher Axle Spacing	0.0
Length of Pusher Tire Unladen Radius (UR)	0.0
Frame Base Right Side	161.8
Side Step Right Side	0.0
Exhaust Right Side	32.0
Liner Tank Right Side	0.0
Battery Box Right Side	0.0
Fuel Tank Right Side	0.0
Hydraulic Tank Right Side	0.0
Aux1 Tank Right Side	0.0
Aux2 Tank Right Side	0.0
StoneBox1 Tank Right Side	0.0
StoneBox2 Tank Right Side	0.0
Frame Step Right Side	0.0
Fender Right Side	0.0
Other1 Right Side	0.0
Other2 Right Side	0.0
Adj Right Side	0.0

Performance calculations are estimates only. If performance calculations are critical, please contact Customer Application Engineering.

